

Technical Data Sheet

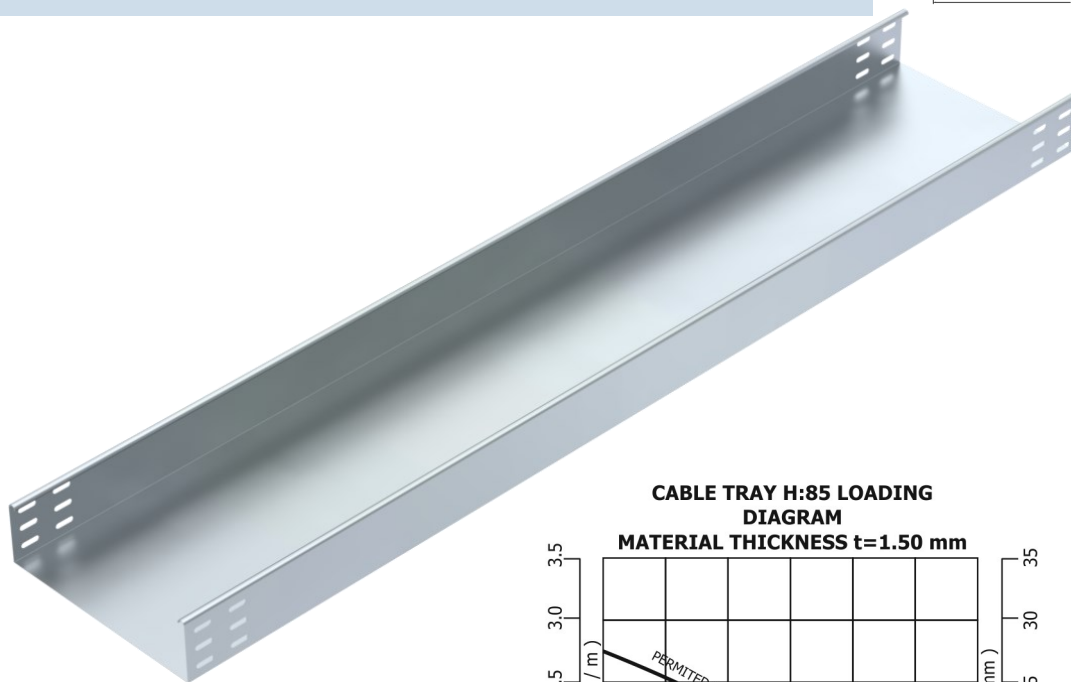
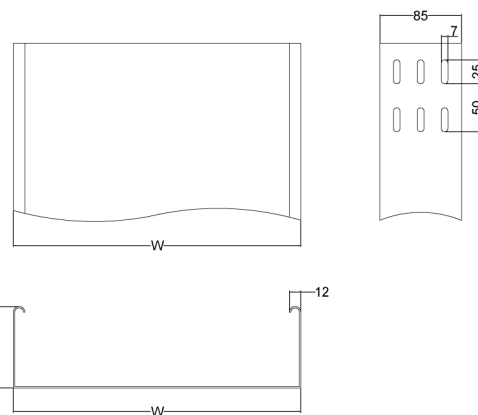
Heavy Duty Cable Trays / Unperforated

Galvanized According To EN 10346

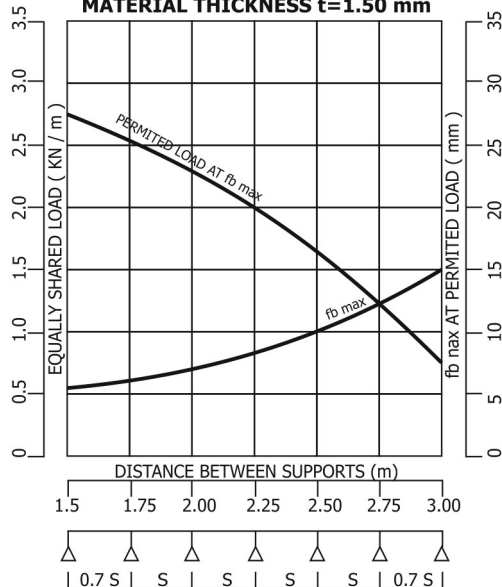


- ◆ **Producer** METALLODOMI SA
- ◆ **Description** Heavy Duty Cable Trays / Unperforated / Side Height H85
- ◆ **Material** Galvanized Steel According To EN 10346
- ◆ **Length** 3000mm
- ◆ **Use** Dry Indoor Facilities

CODE	WIDTH (W) mm	HEIGHT (H) mm	THICKNESS mm
080.100085150	100	85	1.50
080.150085150	150	85	1.50
080.200085150	200	85	1.50
080.300085150	300	85	1.50
080.400085150	400	85	1.50
080.500085150	500	85	1.50
080.600085150	600	85	1.50



CABLE TRAY H:85 LOADING DIAGRAM
MATERIAL THICKNESS $t=1.50$ mm



ISO 9001:2015